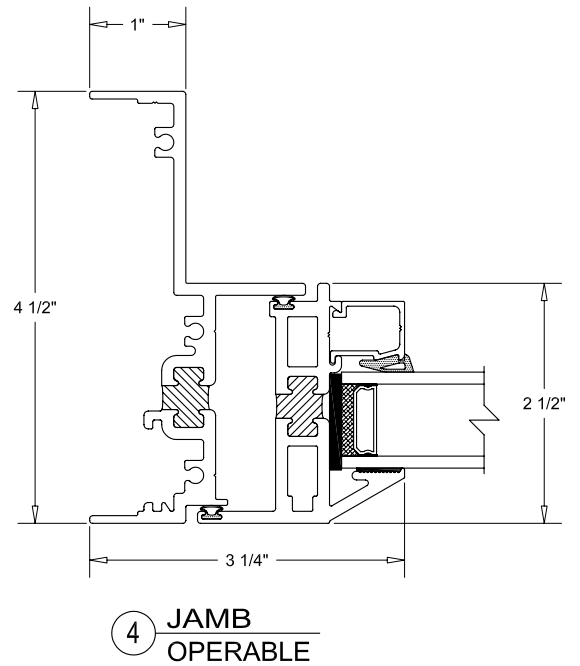
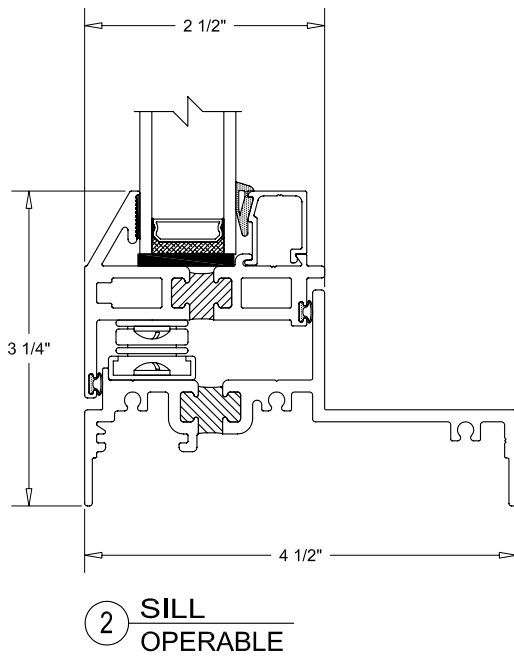
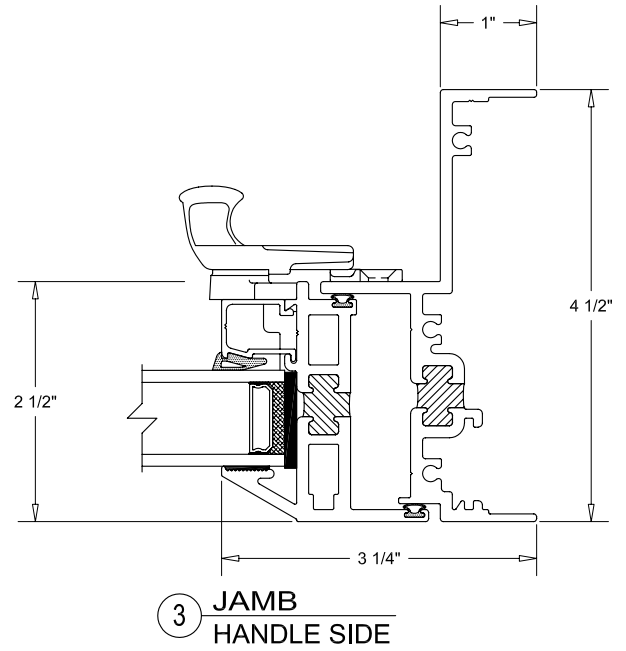
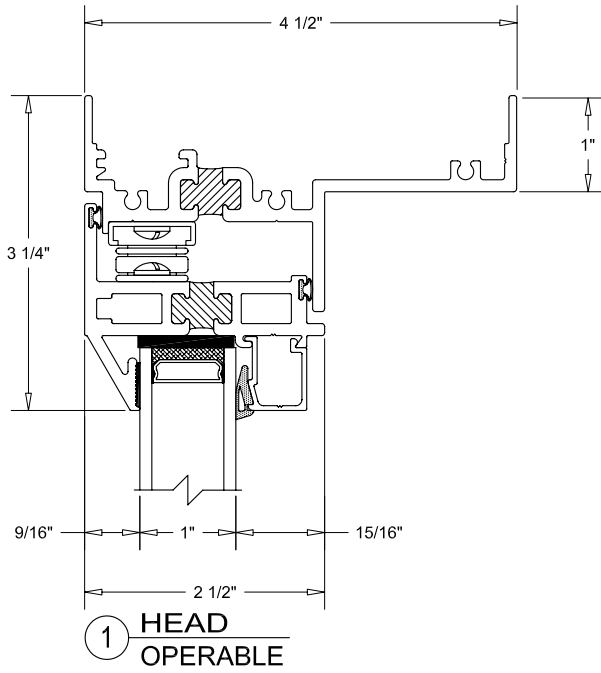
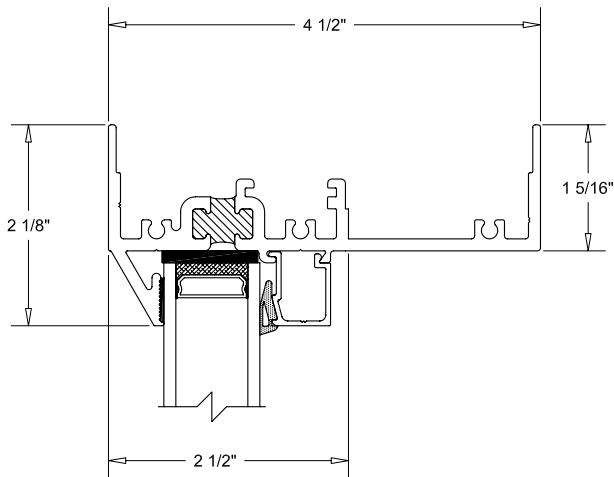
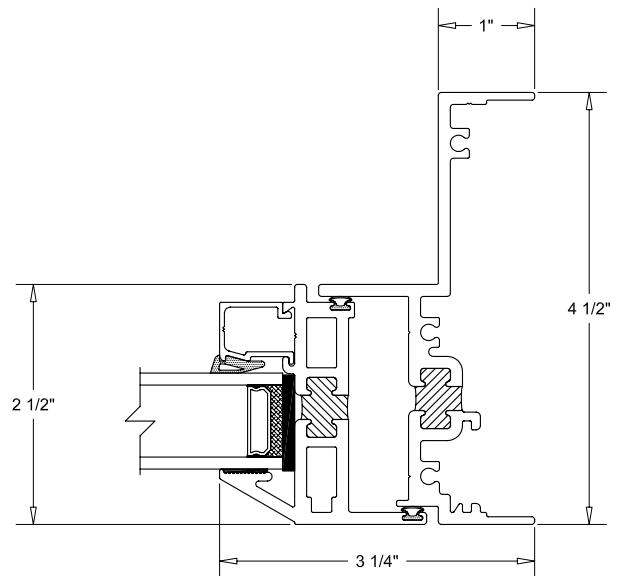


(NOTE: SEE SECTION (16), (17), (18) FOR TYPICAL INSTALLATION DETAILS)

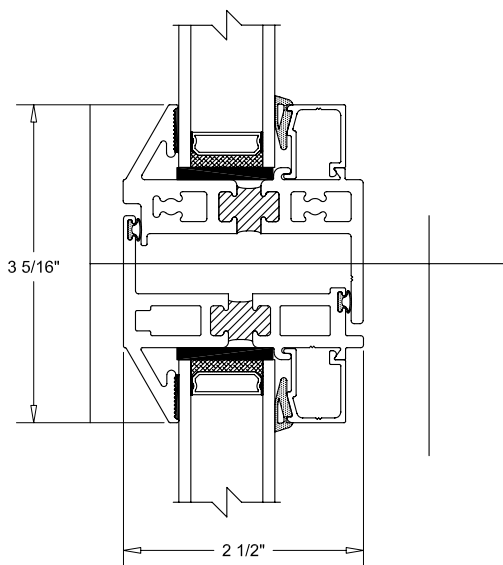




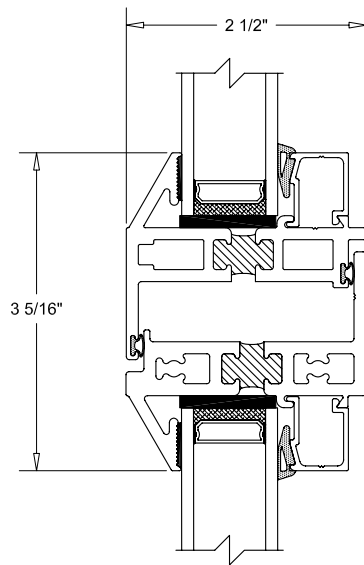
5 HEAD
FIXED



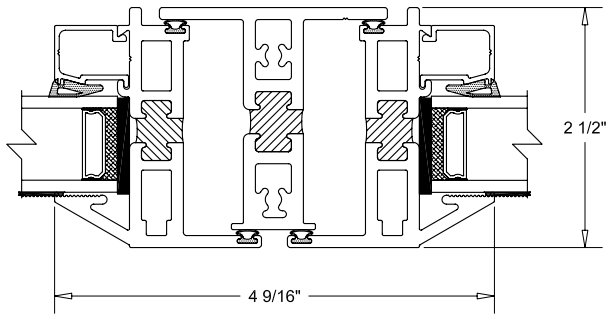
7 JAMB
OPERABLE



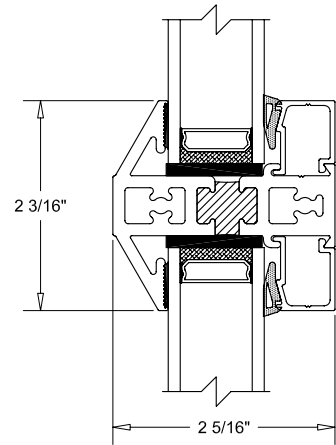
6 IMPOST
FIXED OVER OPERABLE



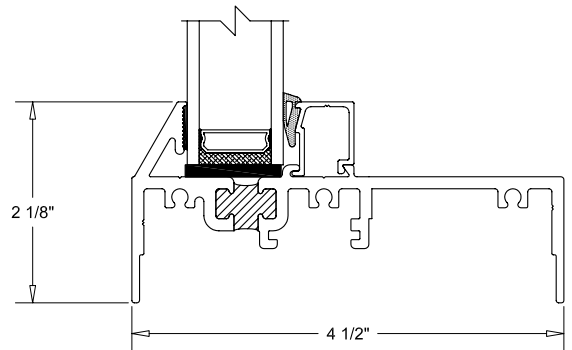
8 IMPOST
OPERABLE OVER FIXED



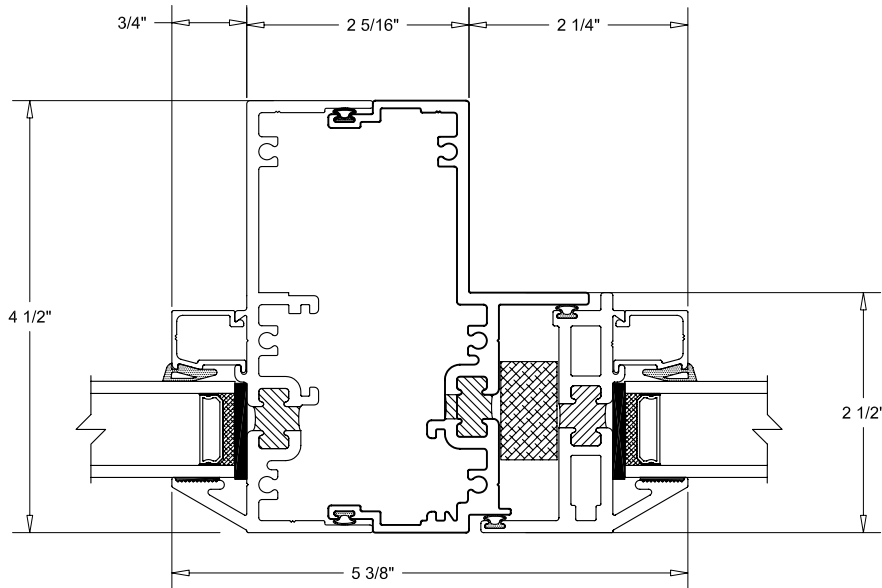
9 **IMPOST**
OPERABLE TO OPERABLE



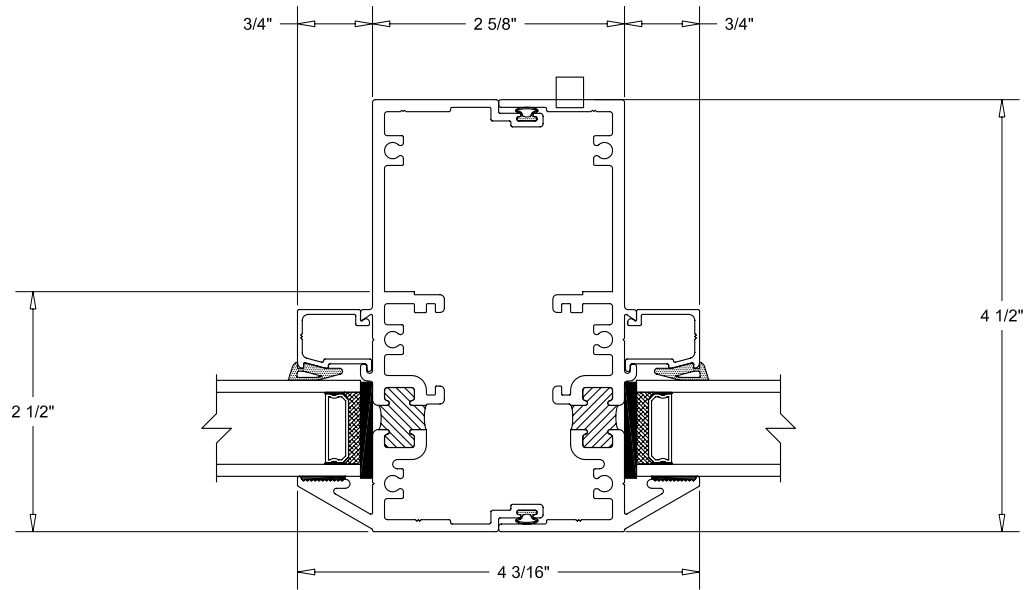
10 **IMPOST**
FIXED OVER FIXED



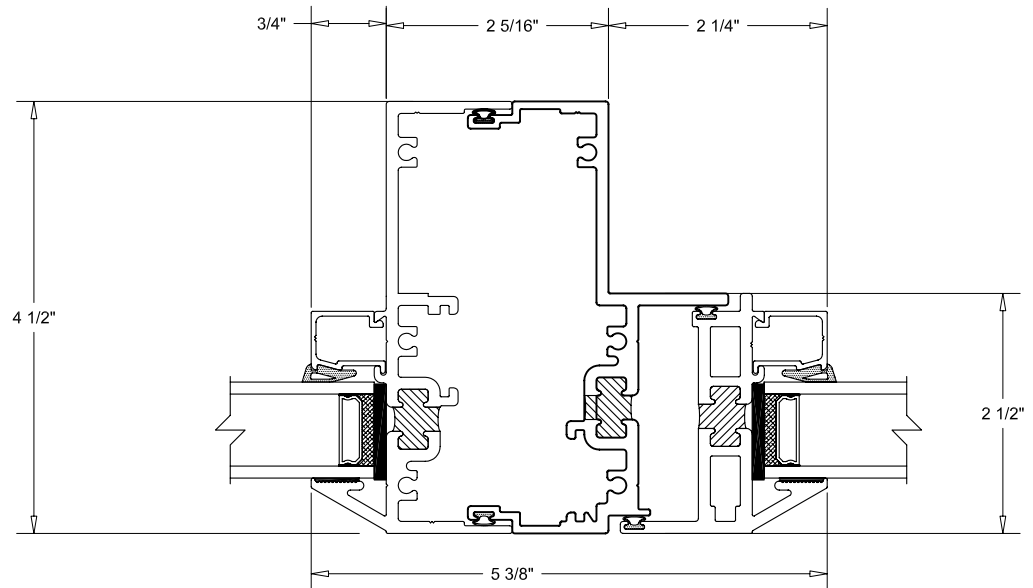
11 **SILL**
FIXED



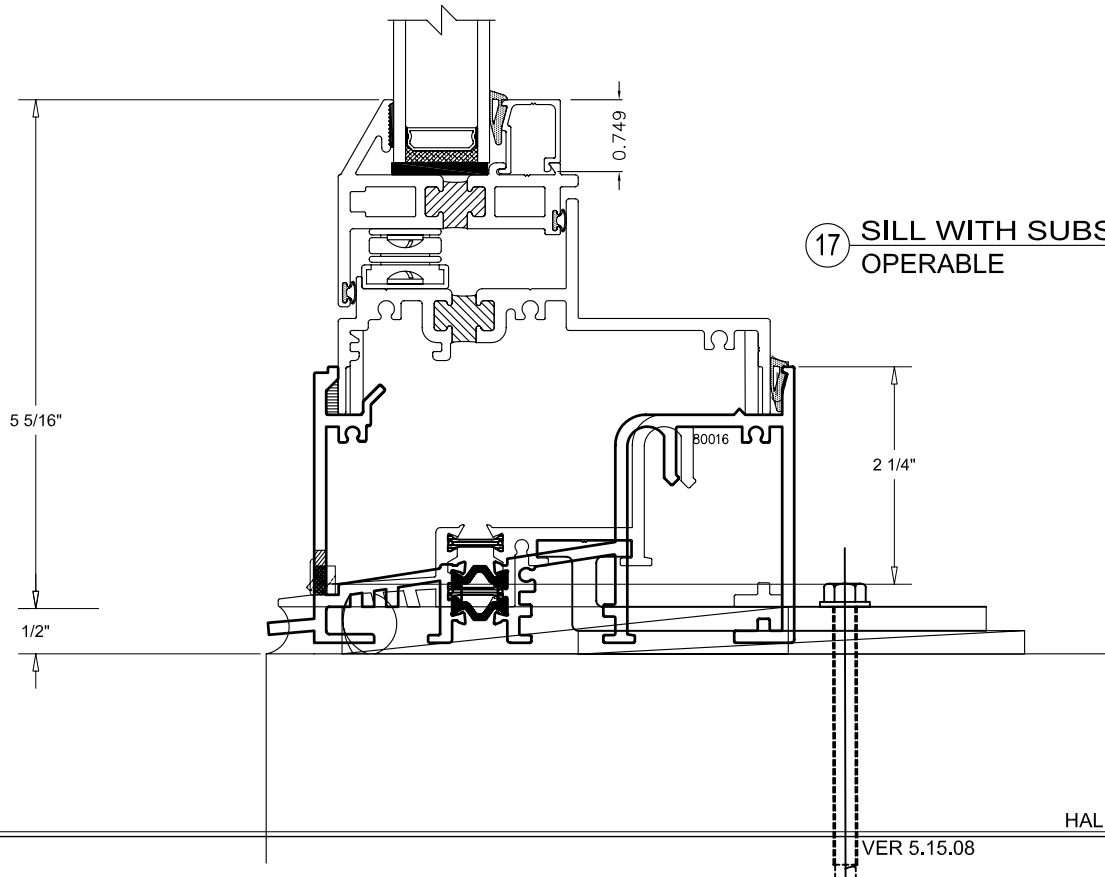
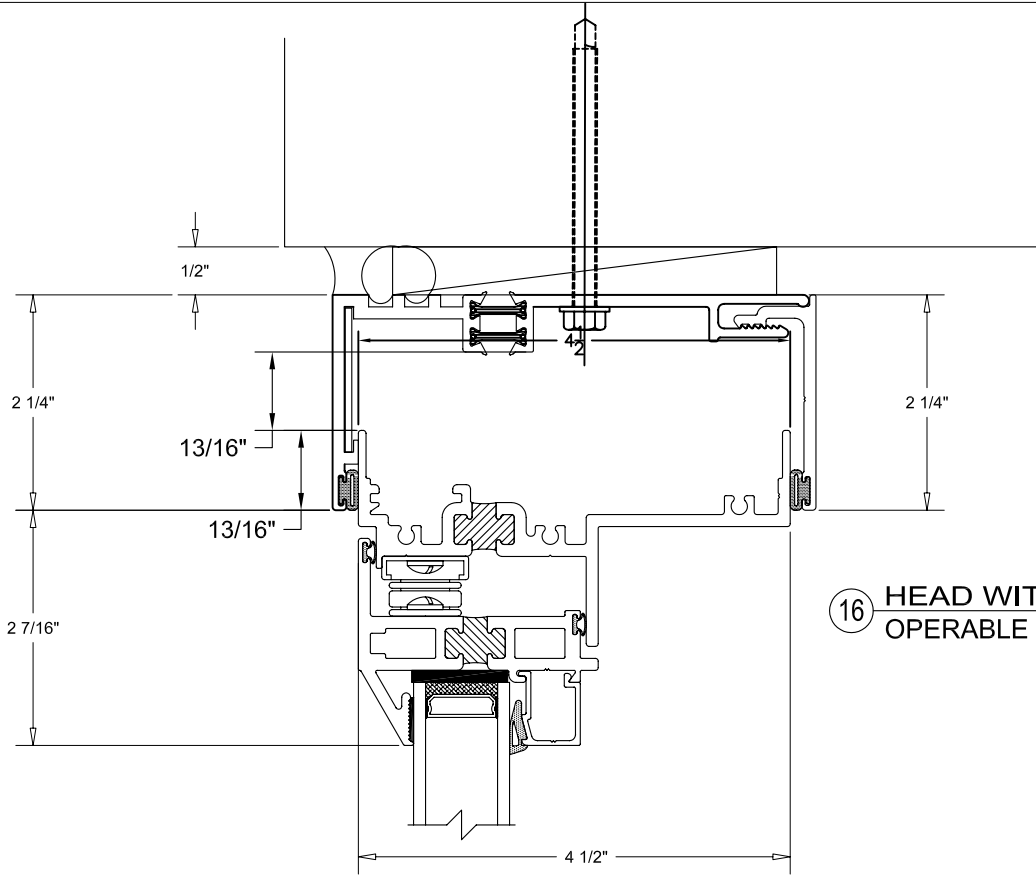
12 **MALE-FEMALE MULLION**
FIXED TO FIXED SASH

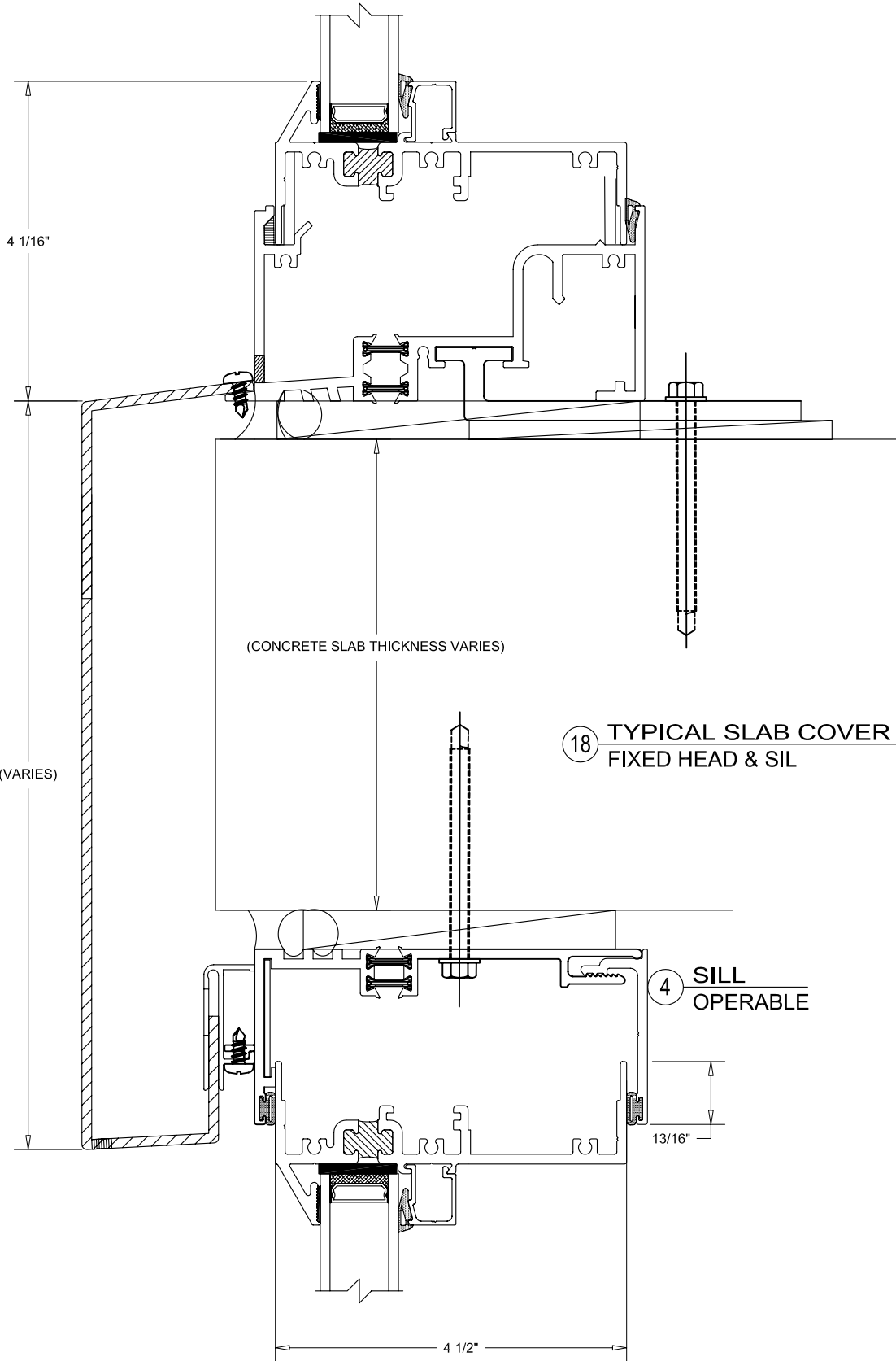


13 MALE-FEMALE MULLION
FIXED TO FIXED



14 MALE-FEMALE MULLION
FIXED TO OPERABLE





18 TYPICAL SLAB COVER DETAIL
FIXED HEAD & SIL

4 SILL
OPERABLE